

Handrail Mounting Instructions

Bullard Company

Safety Stairs and Bridges

1. After receiving the shipment, unpack the Safety Stair or Bridge from its shipping container. The shipment will consist of the following components:
 - A. 1 - bridge or stair assembly
 - B. 2 - front handrail uprights
 - C. 2 - handrail sub-assemblies
 - D. 4 - 3/4"-10 x 2" A325 bolts w/nuts
 - E. 8 - 1/2"-13 x 2 3/4" bolts
 - F. 10 - 1/2" locknuts
 - G. 2 - 1/2"-13 x 5 1/2" bolts

2. Attach the front handrail upright to the handrail sub-assembly with two of the 1/2"-13 x 2 3/4" bolts and locknuts (See sketch 1-1). This will complete one handrail assembly. Complete the remaining assembly in the same manner as outlined above.

NOTE: These joints must pivot freely. Tighten the bolts only to the point that the bolt and nut combination can still be rotated with your fingertips.

3. Install the safety stair or bridge with handrails to your loading rack or platform (See sketch 1-2). This is accomplished by installing 3/4"-10 x 2" bolts through the holes in the bottom handrail uprights and the mounting plates of the unit. Fasten securely to the platform with 3/4" locknuts.

NOTE: Remember to position the handrail on the correct side of the unit. The bend in the mounting plate on the front upright extends over the side panel.

4. Attach the front upright to the top of the stair or bridge panels. The hole in the front upright mounting plate will match the hole in the panels. As illustrated in Sketch 1-3, position the front upright over the panel of the unit (the wider yoke section will extend over the panel). Insert the 1/2"-13 x 5 1/2" bolt through the upright mounting hole and the mounting hole in the panel, install the locknut on the bolt, tighten to the point the bolt can be rotated with your fingertips.

WARNING: Two (2) handrails must be used for maximum safety to prevent falls.

WARNING: To prevent falls, before walking on decking or steps, the unit must be supported at both ends.

Bullard Company

7080 Schnipke Drive
Ottawa Lake, Michigan 49267

Phone: 419-841-8775
Fax: 419-841-8789
E-mail: info@bullardeng.com
Web: www.bullardeng.com

Should you experience any problems with this shipment, please contact your local distributor, representative or the factory at 419-841-8775.

Handrail Mounting Instructions

Bullard Company

Safety Stairs and Bridges

These drawings will aid with the assembly and installation of the safety bridge or stair.

Sketch 1-1

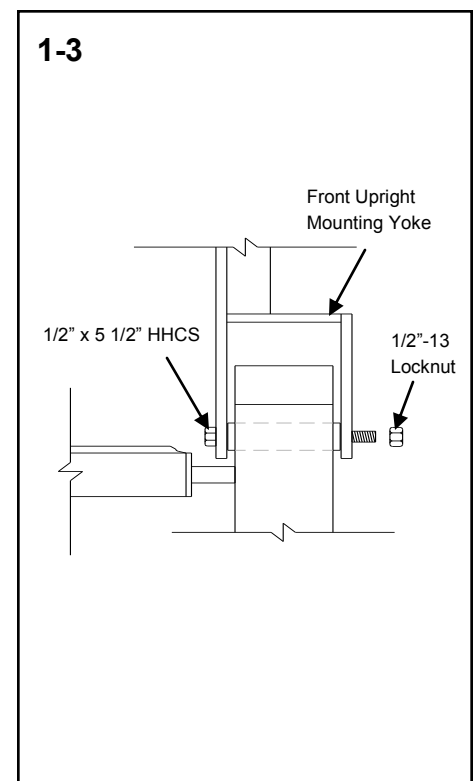
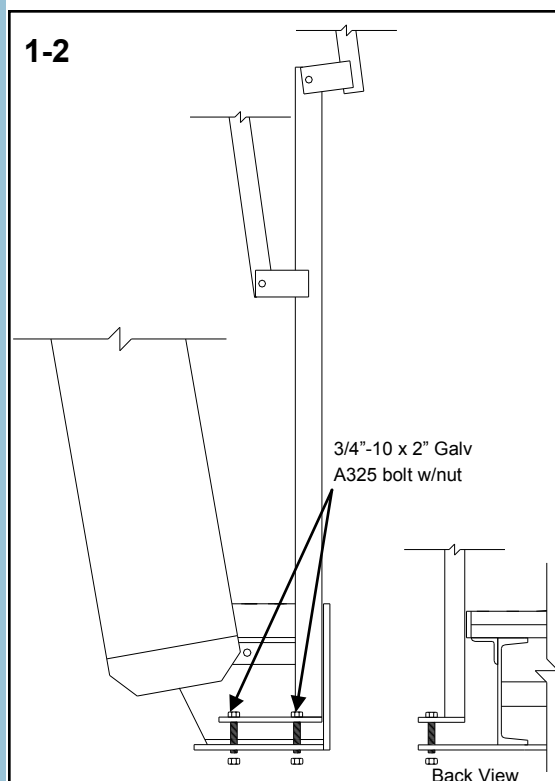
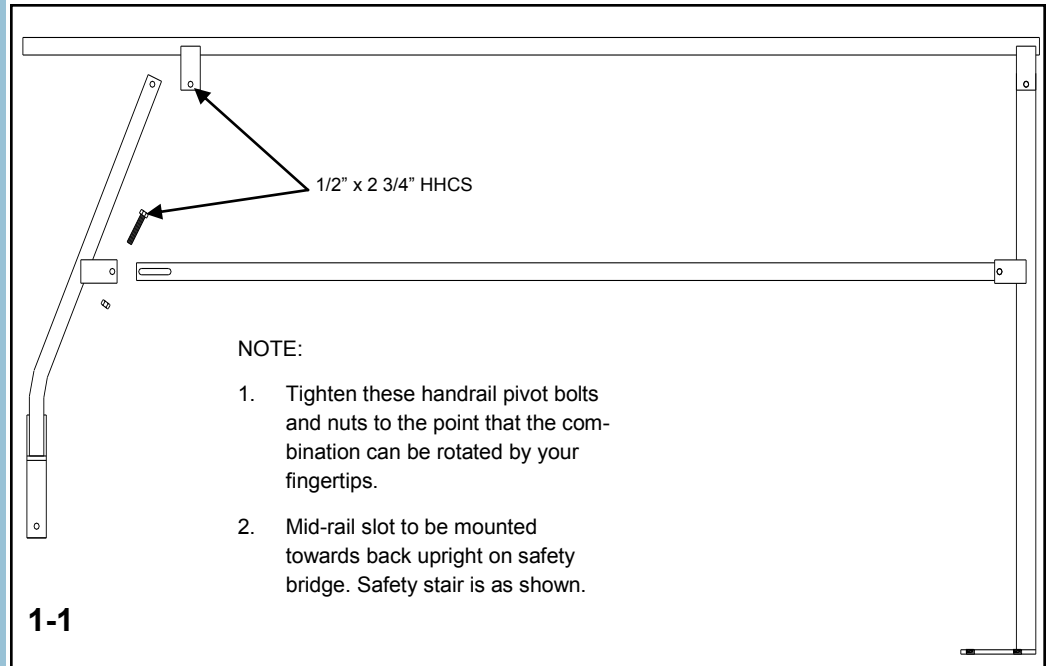
Handrail Assembly

Sketch 1-2

Installation

Sketch 1-3

Attachment of Front Upright Handrails



Bullard Company

7080 Schnipke Drive
Ottawa Lake, Michigan 49267

Phone: 419-841-8775
Fax: 419-841-8789
E-mail: info@bullardeng.com
Web: www.bullardeng.com